

SFP MODULE SYSTEM PRODUCTS

1.25Gbps SFP Optical Transceiver, 550m-120km Reach



FEATURE

- Class 1 laser product EN 60825-1 standards
- Compliant with SFP MSA and SFF-8472
- Compliant with SDH/SONET
- Duplex LC connector
- Hot pluggable
- 3.3V Single Power Supply

APPLICATIONS

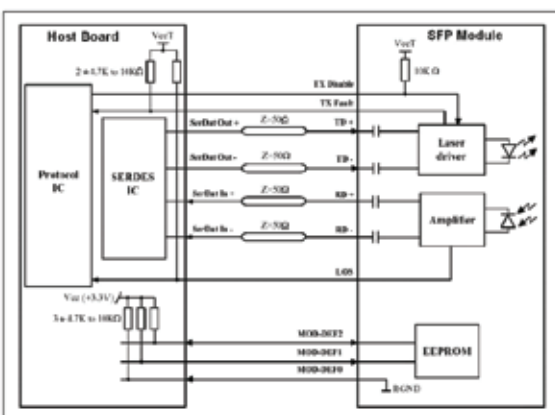
- Data-rate of 1.25Gbps operation
- 850nm VCSEL laser and PIN photodetector
- 1310nm FP laser and PIN photodetector for 10-40km transmission
- 1550nm DFB laser and PIN photodetector for 80-120km transmission
- Compliant with SFP MSA and SFF-8472 with duplex LC receptacle
- Digital Diagnostic Monitoring: Internal Calibration or External Calibration
- Temperature , Supply voltage , Transmitted bias current,
- Transmitted power, Received power
- 550m transmission with 50/125µm MMF
- 270m transmission with 62.5/125µm MMF
- Compatible with SONET OC-24-LR-1, Compatible with RoHS
- +3.3V single power supply
- Operating case temperature range of 0°C to +70°C (Standard) or -40°C to +85°C (Industrial)



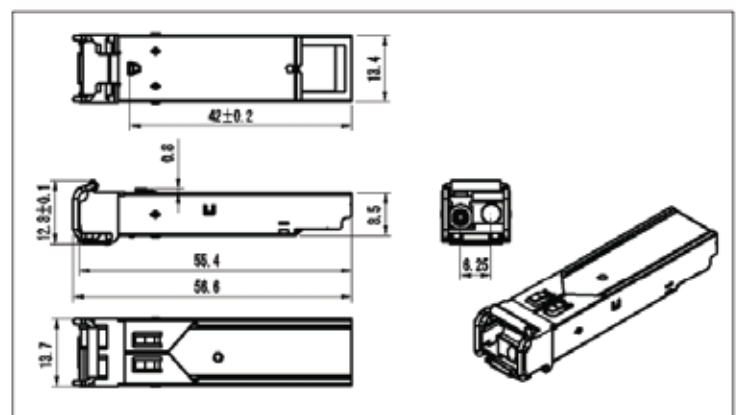
OVERVIEW

- SDH STM-1, S-1.1, L-1.1, L-1.2
- SONET OC-3 IR1, LR1, LR2
- Router/Server interface
- Other optical transmission systems

RECOMMENDED INTERFACE CIRCUIT



MECHANICAL DIMENSIONS



ABSOLUTE MAXIMUM RATINGS

Parameter	Symbol	Min	Max	Unit
Storage Temperature	Vcc	-0.5	4.5	V
Supply Voltage	Ts	-40	+85	°C
Operating Humidity		5	85	%

RECOMMENDED OPERATING CONDITIONS

Parameter	Symbol	Min	Typical	Max	Unit
Operating Case Temperature	Commercial	Tc	0	+70	°C
	Industrial		-40	+85	V
Power Supply Voltage	Vcc	3.13	3.3	3.47	mA
Power Supply Current	Icc			300	°C
Data Rate	Gigabit Ethernet		1.25		Gbps
	Fiber Channel		1.063		Gbps

REGULATORY COMPLIANCE

Feature	Standard	Performance
Electrostatic Discharge (ESD) to the Electrical Pins	MIL-STD-883E Method 3015.7	Class 1(>500 V) Isolation with the case
Electromagnetic Interference(EMI)	FCC Part 15 Class B	Compatible with standards
Laser Eye Safety	FDA 21CFR 1040.10 and 1040.11	Compatible with Class I laser product.
	EN60950, EN (IEC) 60825-1,2	Compatible with TÜV standards
Component Recognition	UL and CUL	UL file E317337
Green Products	2002/95/EC 2005/618/EC	RoHS6

DESCRIPTION

Model	Rate	Wavelength	Distance	Optical power	Sensitivity
MC-SFP-SX-MM-0205	1.25G	850nm	550m	-9~-3dBm	<-17dBm
MC-SFP-LX-SM-0210	1.25G	1310nm	10km	-9~-3dBm	<-22dBm
MC-SFP-LX-SM-0240	1.25G	1310nm	40km	-5~0dBm	<-24dBm
MC-SFP-ZX-SM-0280	1.25G	1550nm	80km	0~5dBm	<-25dBm
MC-SFP-ZX-SM-02120	1.25G	1550nm	120km	0~5dBm	<-32dBm

ORDER INFORMATION

PRODUCT	PART NUMBER
850nm, 1.25Gbps, LC, 550m, 0°C~+70°C	MC-SFP-SX-MM-0205
1310nm, 1.25Gbps, LC, 10km, 0°C~+70°C	MC-SFP-LX-SM-0210
1310nm, 1.25Gbps, LC, 20km, 0°C~+70°C	MC-SFP-LX-SM-0220
1310nm, 1.25Gbps, LC, 40km, 0°C~+70°C	MC-SFP-LX-SM-0240
1550nm, 1.25Gbps, LC, 80km, 0°C~+70°C	MC-SFP-ZX-SM-0280
1550nm, 1.25Gbps, LC, 120km, 0°C~+70°C	MC-SFP-ZX-SM-02120